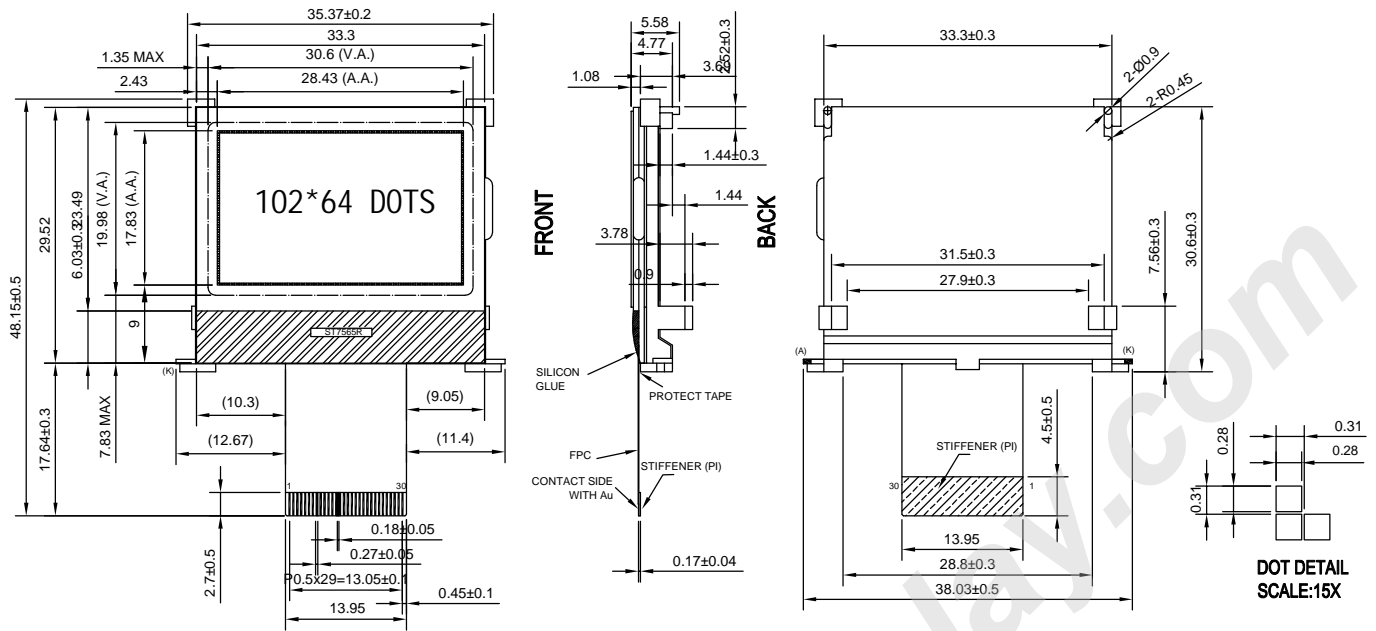


Dimension Drawing



TOLERANCES UNLESS OTHERWISE STATED
 X.X ±0.20 X.XX ±0.10 UNIT: mm

Feature:

- 102 x 64 dots graphic display
- Built-in controller ST7565R
- +3.3 V power supply
- 1/64 Duty cycle
- STN or FSTN Mode
- Match all kind colors of LED back light
- ROHS compliant

Interface Pin Connections

PIN NO.	Symbol	PIN NO.	Symbol
1	VDD	16	D7
2	C86	17	D6
3	VSS	18	D5
4	V0	19	D4
5	V1	20	D3
6	V2	21	D2
7	V3	22	D1
8	V4	23	D0
9	C2N	24	/RD(E)
10	C2P	25	/WR(R/W)
11	C1P	26	A0
12	C1N	27	RST
13	C3P	28	/CS1
14	VOUT	29	NC
15	VSS	30	NC

Mechanical Data

Item	Standard	Unit
Module dimension	35.37 x 31.6	mm
Viewing area	30.6 x 19.98	mm
Dots pitch	0.31 x 0.31	mm
Dots size	0.28 x 0.28	mm

Absolute Maximum Rating

Item	Symbol	Standard			Unit
		Min	Typ	Max	
Power supply	VDD-VSS	-0.3	---	5.0	V
Input voltage	Vin	0.3	---	18.0	

Electrical Characteristics

Item	Symbol	Condition	Standard			Unit
			Min	Typ	Max	
Input voltage	VDD	+3.0V	1.8	3.0	3.3	V
Supply current	I _{DD}	VDD=3V	---	19	32	uA
Recommended LCD driving voltage for normal temp version module	V5-VDD (VDD=3V)	-20°C	9.8	---	---	V
		0°C	9.6	9.8	---	
		25°C	9.4	9.6	9.8	
		50°C	---	9.4	9.6	
70°C	---	---	9.4			
LED forward voltage	V _F	25°C	---	3.1	3.3	V
LED forward current	I _F	25°C Edge	---	30	40	mA