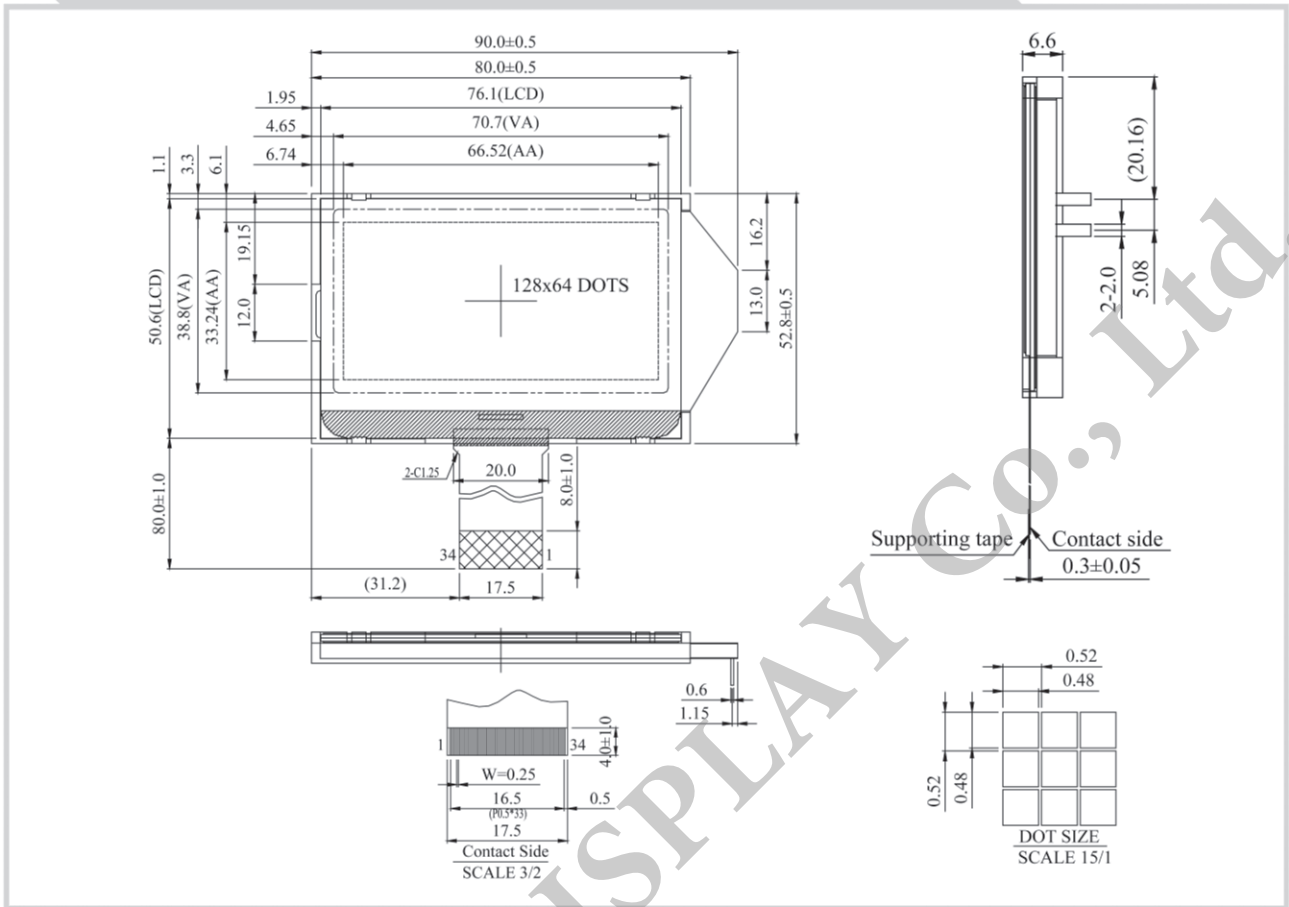


# WO12864D2 Graphic 128x64



## Feature

- 1. Built-in controller (ST7565P or equivalent)
- 2. 3.3V power supply
- 3. 1/64 duty cycle

Pin No.	Symbol	Description
1	/CS1	This is the chip select signal. When /CS1 = "L", then the chip select becomes active, and data/command I/O is enabled.
2	/RES	Controller reset signal, Active Low
3	A0	Data/ Instruction select signal
4	/WR(RW)	8080 family: Write signal, 6800 family: Read/Write signal
5	/RD(E)	8080 family: Read signal, 6800 family: Enable clock
6	DB0	Data bus line
7	DB1	Data bus line
8	DB2	Data bus line
9	DB3	Data bus line
10	DB4	Data bus line
11	DB5	Data bus line
12	DB6	Data bus line
13	DB7	Data bus line
14	V <sub>DD</sub>	Power supply for logic
15	V <sub>SS</sub>	Ground
16	V <sub>out</sub>	Positive Voltage output
17	CAP5+	DC/DC voltage converter
18	CAP3+	DC/DC voltage converter.
19	CAP1-	DC/DC voltage converter.
20	CAP1+	#N/A
21	CAP2+	DC/DC voltage converter.
22	CAP2-	DC/DC voltage converter.
23	CAP4+	DC/DC voltage converter.
24	VRS	This is the internal-output VREG power supply for the LCD power supply voltage regulator.
25	V4	Bias voltage levels for LCD driving
26	V3	Bias voltage levels for LCD driving
27	V2	Bias voltage levels for LCD driving
28	V1	Bias voltage levels for LCD driving
29	V0	Bias voltage levels for LCD driving
30	VR	LCD Contrast Adjustment when IRS = "L"
31	C86	Interface selection 6800/8080

## Mechanical Data

Item	Standard Value	Unit
Module Dimension	90.0 x 52.8	mm
Viewing Area	70.7 x 38.8	mm
Dot Pitch	0.52 x 0.52	mm
Dot Size	0.48 x 0.48	mm

## Electrical Characteristics

Item	Symbol	Standard Value	Unit
		typ.	
Input Voltage	VDD	3.0	V
Recommended LCD Driving Voltage for Normal Temp. Version module @25°C	V <sub>o</sub> -V <sub>ss</sub>	10.0	V