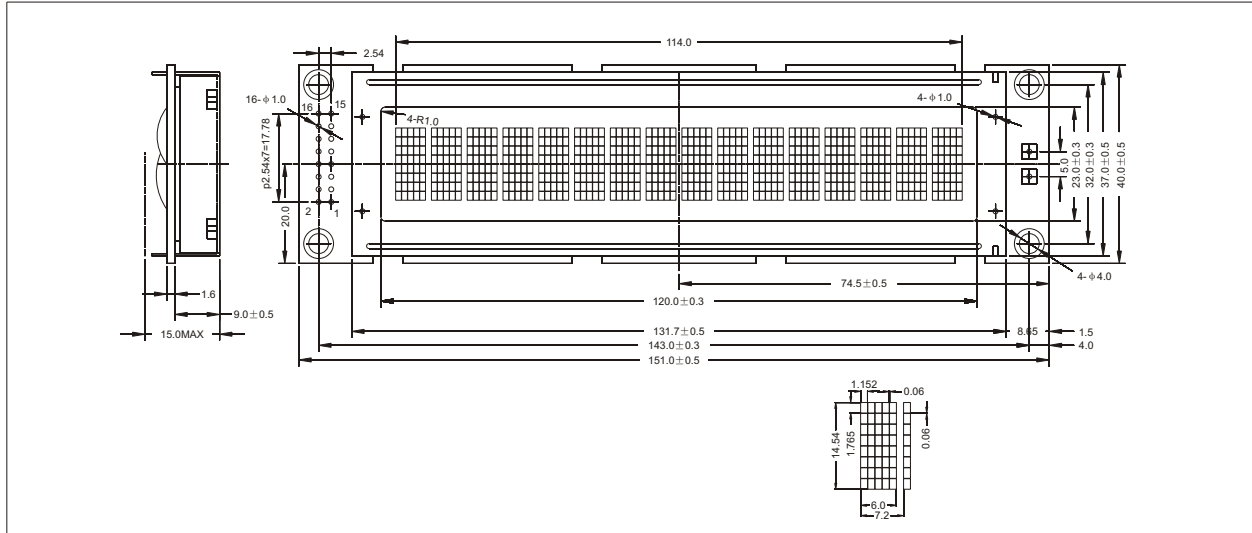


YMS161-04

16CHARx1LINE
1/8DUTY, 1/4BIAS

1 EXTERNAL DIMENSION AND DISPLAY PATTERN



2 MECHANICAL DATA

ITEM	SPECIFICATION	UNIT
Module Size(W*H*T)	151.0×40.0×15.0	mm
Viewing Area(W*H)	120.0×23.0	mm
Character Font(W*H)	5×7 with Cursor	mm
Character Size (W*H)	6.0×14.54	mm
Dot Size (W*H)	1.152×1.765	mm

3 PIN CONFIGURATION

PIN No.	SYMBOL	FUNCTION
1	Vss	Ground(0v)
2	Vdd	Logic Supply Voltage(+5.0v)
3	Vee	LCD Driver Voltage Input
4	RS	Data/Instruction Register Select
5	R/W	Read/Write Select
6	E	Enable Signal
7-14	DB0-DB7	Data Bus Line
15-16	A, K	LED Backlight

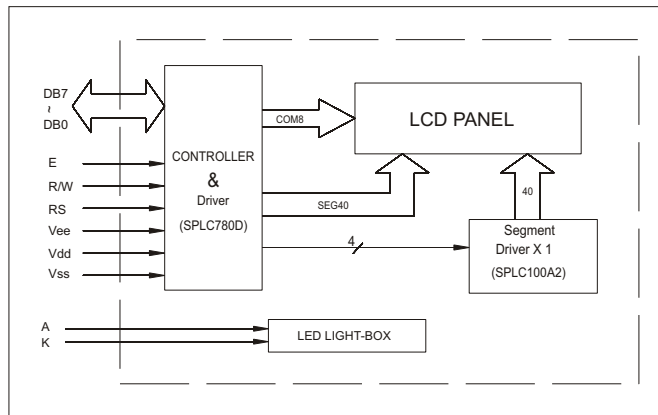
4 ABSOLUTE MAXIMUM RATINGS

PARAMETER	SYMBOL	MIN	MAX	UNIT
Supply Voltage Logic	$V_{DD}-V_{SS}$	-0.3	7.0	V
Supply Voltage Driver	$V_{DD}-V_{EE}$	-0.3	13.5	V
Intut Voltage	V_{IN}	-0.3	$V_{DD}+0.3$	V
Operating Temp	See page 9			
Storage Temp	See page 9			

5 ELECTRICAL CHARACTERISTICS(Ta=25 °C)

ITEM	SYMBOL	CONDITION	SPEC.VALUE			UNIT
			MIN.	TYP.	MAX.	
Supply Voltage (Logic)	$V_{DD}-V_{SS}$		4.5	5.0	5.5	V
Supply Current (Logic)	I_{DD}	$V_{DD}=5V$	-	1.13	-	mA
Input Voltage	HIGH	V_{IH}	0.7V _{DD}	-	V _{DD}	V
	LOW	V_{IL}	-0.3	-	0.05	V
Output Voltage	HIGH	V_{OH}	$V_{OH}=-1.2mA$	0.8V _{DD}	-	V
	LOW	V_{OL}	$V_{OL}=1.2mA$	-	0.2V _{DD}	V
LCD Operating Voltage	$V_{DD}-V_{EE}$	$V_{DD}=5V$ $T_a=25\text{ }^\circ\text{C}$	3.0	5.6	9.0	v
Supply Voltage LCD Drive	I_{EE}		-	1.0	-	mA

6 BLOCK DIAGRAM



7 BACKLIGHTING CHARACTERISTICS(Ta=25 °C)

ITEM	SYMBOL	CONDITION	MIN.	TYP.	MAX.	UNIX
Supply Voltage	V_{LED}	$I_F=300mA$	3.8	4.1	4.2	V
Power Consumption	P_{LED}			1230		mW
Luminous						cd/m ²