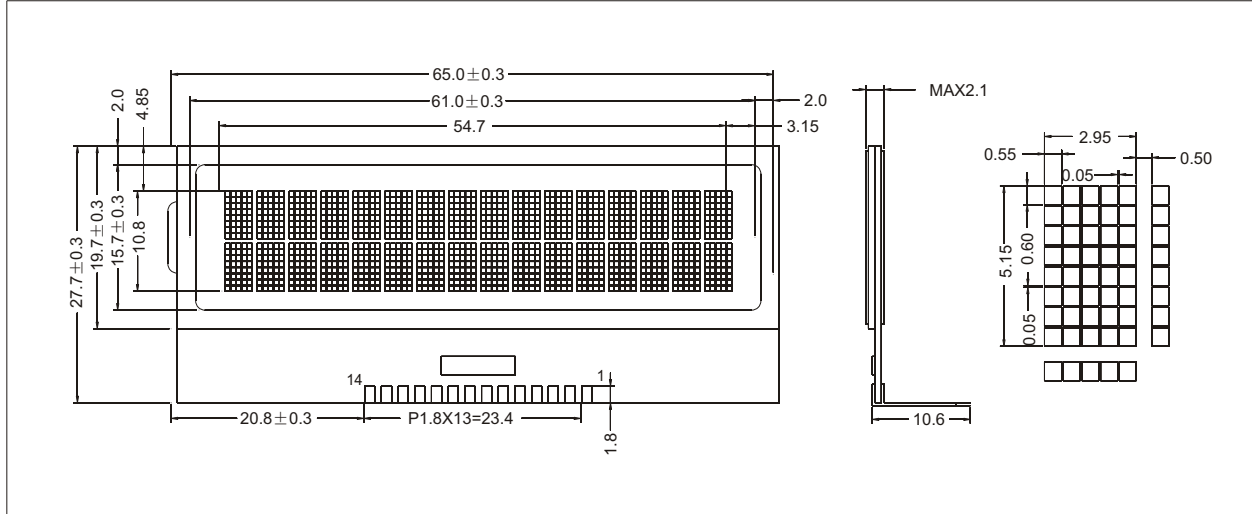


YMS162-08

16CHAR x 2LINE
1/16DUTY, 1/5BIAS

1 EXTERNAL DIMENSION AND DISPLAY PATTERN



2 MECHANICAL DATA

ITEM	SPECIFICATION	UNIT
Module Size(WXHXT)	65.0 x 27.7 x 2.1	mm
Viewing Area(WXH)	61.0 x 15.7	mm
Character Font(WXH)	5 x 7 with Cursor	dots
Character Size(WXH)	2.95 x 5.15	mm
Character Pitch(WXH)	3.45 x 5.65	mm
Dot Size(WXH)	0.55 x 0.6	mm

5 ABSOLUTE MAXIMUM RATINGS

PARAMETER	SYMBOL	MIN.	MAX.	UNIT
Supply Voltage Logic	$V_{DD}-V_{SS}$	-0.3	7.0	V
Supply Voltage Driver	$V_{DD}-V_{EE}$	-0.3	7.0	V
Input Voltage	V_{IN}	-0.3	$V_{DD}+0.3$	V
Operating Temp.	See page 9			
Storage Temp.				

3 PIN CONFIGURATION

PIN	SYMBOL	SIGNAL DESCRIPTION
1	V_{SS}	GND(0V)
2	V_L	Voltage Contrast Control for LCD
3	V_{DD}	Power Supply(5V)
4	RS	Register Select-LOW=Instruction,HIGH=Data
5	R/W	Read/Write LOW=MPU to LCM,HIGH=LCM to MPU
6	E	Eable R/W=LOW:Data are talking over at falling edge R/W=HIGH:Data can be read at E=1
7 to 14	DB ₀ to DB ₇	Data Bus-Software Selectable 4 or 8bit Mode

6 ELECTRICAL CHARACTERISTICS(Ta=25 °C)

ITEM	SYMBOL	CONDITION	SPEC. VALUE			UNIT
			MIN.	TYP.	MAX.	
Supply Voltage (Logic)	$V_{DD}-V_{SS}$		4.5	5.0	5.5	V
Supply Current (Logic)	I_{DD}	$V_{DD}=5V$	-	0.8	2.0	mA
Input Voltage	"HIGH"	V_{IH}	-	2.2	-	V_{DD} V
	"LOW"	V_{IL}	-	-0.3	-	0.6 V
Output Voltage	"HIGH"	V_{OH}	$I_{O1}=0.2mA$	2.4	-	V
	"LOW"	V_{OL}	$I_{O1}=1.2mA$	-	-	0.4 V
LCD Operating Voltage	$V_{DD}-V_{EE}$	$V_{DD}=5V$ $T_a=25^\circ C$	-	4.4	5.0	V
Supply Voltage LCD Drive	I_{EE}		-	1.0	1.5	mA

Note(1) : () Value is high Reliability type
Note(2) : Electro-Optical Characteristics:See page 6.

4 BLOCK DIAGRAM

